



PUSH PUMPS



Get in Touch

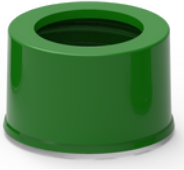
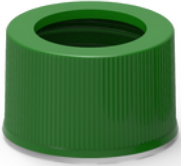
Mir Plastic LLC

- 📞 (302)703-3196
- ✉️ sales@mirplastic.com
- 🌐 www.mirplastic.com
- 📍 16192 Coastal Highway
Lewes, DE 19958

Push Pumps

The screw type push pump is an economical versatile 5 pc patent pending pump based on best in class 2cc mechanism capable of being used with a variety of formulations . The stability of the pump allows for reusability of up to 5000 cycles, is approved by Industry majors and 100% recyclable.



		24mm	28mm
Smooth		✓	✓
Ribbed		✓	✓



INVENTORY AVAILABLE

Key Specifications

Dosage	1.8cc to 2.9cc
Spring material	SS 316 Anti rust steel
Dip tube length	80mm to 250mm
Neck /Closure	24mm, 28mm (customizable)
Leakproof mechanism	PE Gasket
Unscrew rotation	270 degrees
Priming	<7
Actuator design	Customizable
Failure rate	<5000 cycles
ISTA (Ecommerce) approval	Yes

Custom Actuators



sales@mirplastic.com